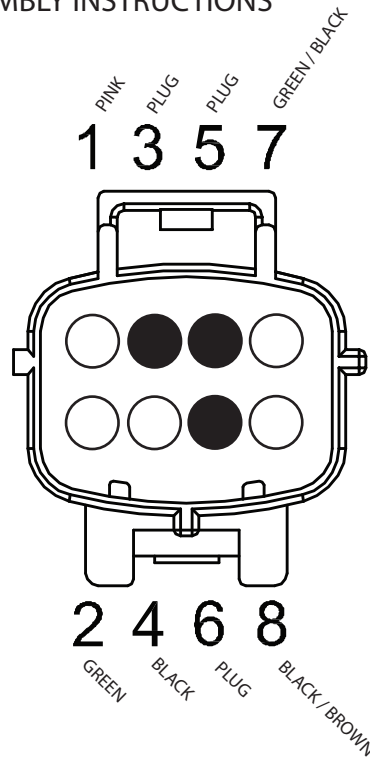
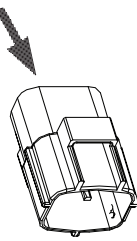


## FUEL TANK CONNECTOR ASSEMBLY INSTRUCTIONS

TANK HARNESS	ENGINE HARNESS
PINK	PINK
GREEN	GREEN
	BROWN / BLACK
BLACK	BLACK
	WHITE
	BLUE
GREEN / BLACK	GREEN / BLACK
BLACK / BROWN	BLACK / BROWN

DIRECTION



**IMPORTANT - AFTER THE CONNECTOR IS ASSEMBLED, THE TERMINAL LOCK MUST BE INSERTED AND FULLY LOCKED INTO THE CONNECTOR**

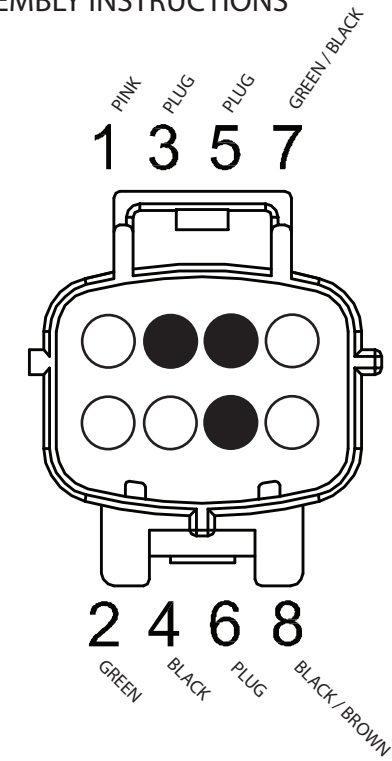
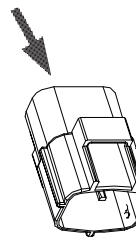
CONNECTOR - FUEL TANK				
Pos.	Contatto	Funzione PIN	Colore	mm <sup>2</sup>
1	VCC	+ 12V BATTERY LEVEL SENSOR	PINK	0.5
2	OUT	SENSOR SIGNAL	GREEN	0.75
4	GND	GROUND PRESSURE STAT. & LEVEL SENSOR	BLACK	1.0
7	OUT	LPG SUPPLY PRESSURE STAT.	GREEN / BLACK	0.75
8	GND	GROUND EV LPG SUPPLY	BROWN	1.0

P11X4-9210-AD

## FUEL TANK CONNECTOR ASSEMBLY INSTRUCTIONS

TANK HARNESS	ENGINE HARNESS
PINK	PINK
GREEN	GREEN
	BROWN / BLACK
BLACK	BLACK
	WHITE
	BLUE
GREEN / BLACK	GREEN / BLACK
BLACK / BROWN	BLACK / BROWN

DIRECTION



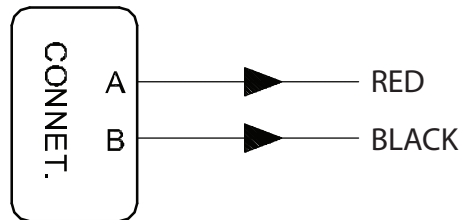
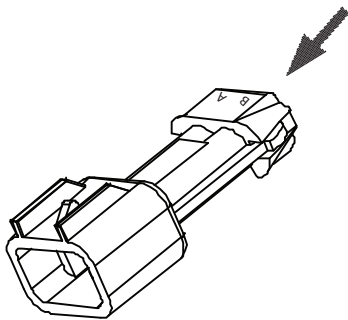
**IMPORTANT - AFTER THE CONNECTOR IS ASSEMBLED, THE TERMINAL LOCK MUST BE INSERTED AND FULLY LOCKED INTO THE CONNECTOR**

CONNECTOR - FUEL TANK				
Pos.	Contatto	Funzione PIN	Colore	mm <sup>2</sup>
1	VCC	+ 12V BATTERY LEVEL SENSOR	PINK	0.5
2	OUT	SENSOR SIGNAL	GREEN	0.75
4	GND	GROUND PRESSURE STAT. & LEVEL SENSOR	BLACK	1.0
7	OUT	LPG SUPPLY PRESSURE STAT.	GREEN / BLACK	0.75
8	GND	GROUND EV LPG SUPPLY	BROWN	1.0

P11X4-9210-AD

## FUEL PUMP CONNECTOR ASSEMBLY INSTRUCTIONS

DIRECTION



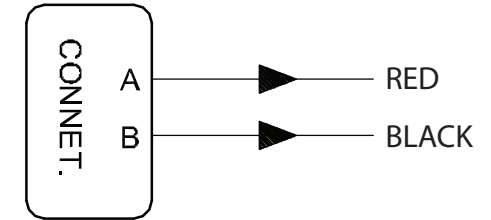
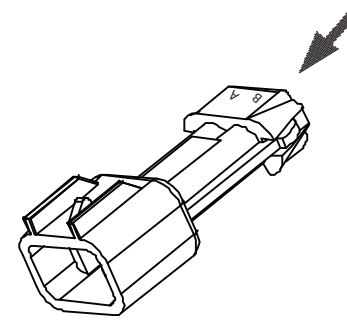
### CONNECTOR - FUEL PUMP

Pos.	Contatto	Funzione PIN	Colore	mm <sup>2</sup>
A	VCC	POWER - FUEL PUMP	RED	4.0
B	GND	GROUND - FUEL PUMP	BLACK	4.0

P11X4-9210-AD

## FUEL PUMP CONNECTOR ASSEMBLY INSTRUCTIONS

DIRECTION



### CONNECTOR - FUEL PUMP

Pos.	Contatto	Funzione PIN	Colore	mm <sup>2</sup>
A	VCC	POWER - FUEL PUMP	RED	4.0
B	GND	GROUND - FUEL PUMP	BLACK	4.0

P11X4-9210-AD