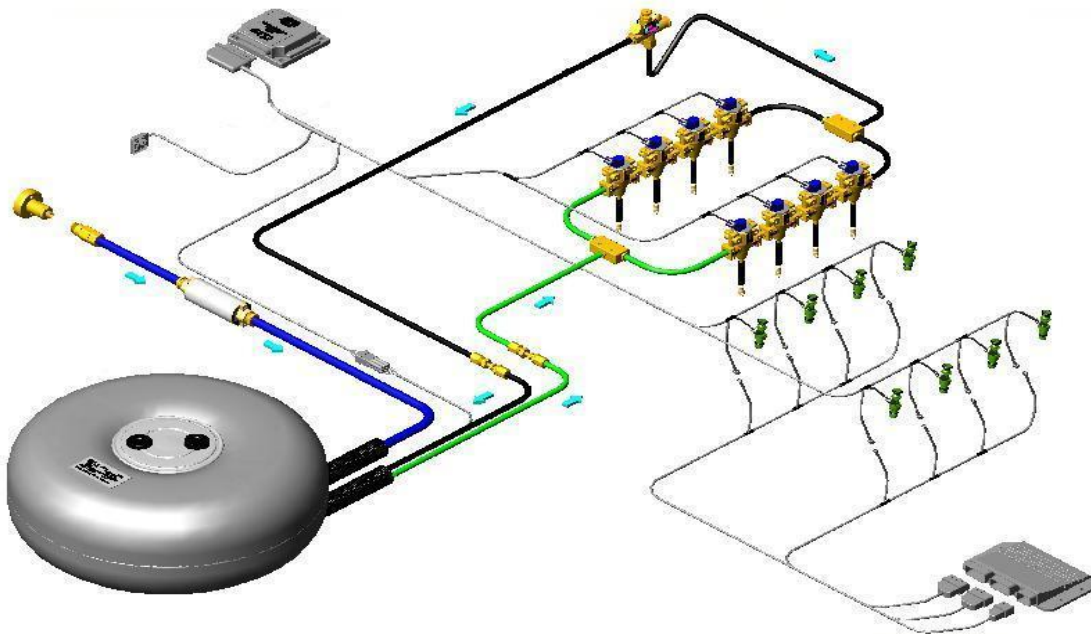




# FORD FUEL GAUGE RESET MODULE INSTALLATION INSTRUCTIONS (VERSION AC)



**P13X4-9228-AC**

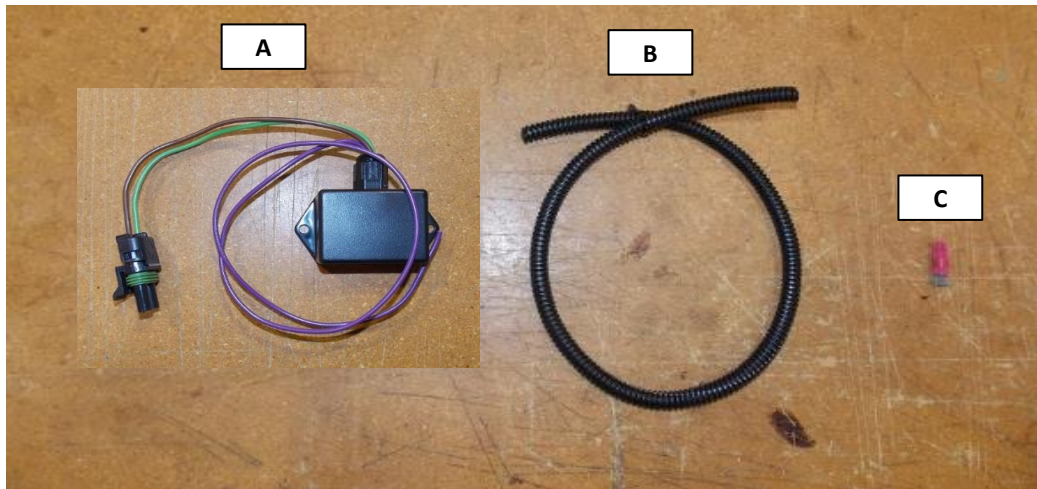
Revision: C - Dated 1/28/15

Replaces: B - Dated 12/8/14

# FORD FUEL GAUGE RESET MODULE OVERVIEW

## HARDWARE CONTENTS

P13X4-4109-AC - FORD FUEL GAUGE RESET MODULE KIT	
COMPONENT	QTY
A - FUEL LEVEL INDICATOR RESET MODULE ASSY	1
C - 1/4" CORRUGATE (L=4')	1
B - TAP-IT CONNECTOR	1



## TOOLS REQUIRED

- WIRE CUTTERS
- WIRE STRIPPERS
- SOLDER IRON
- ROSIN CORE SOLDER
- ELECTRICAL TAPE
- RAZOR BLADE



INSPECTION  
TORQUE  
CRITICAL PROCESS

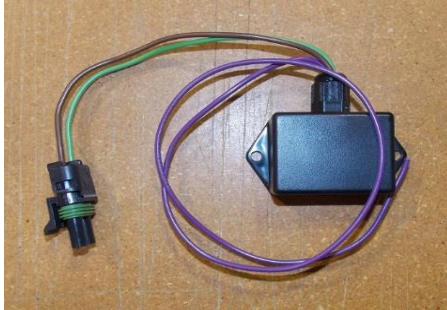


ITEM NUMBER



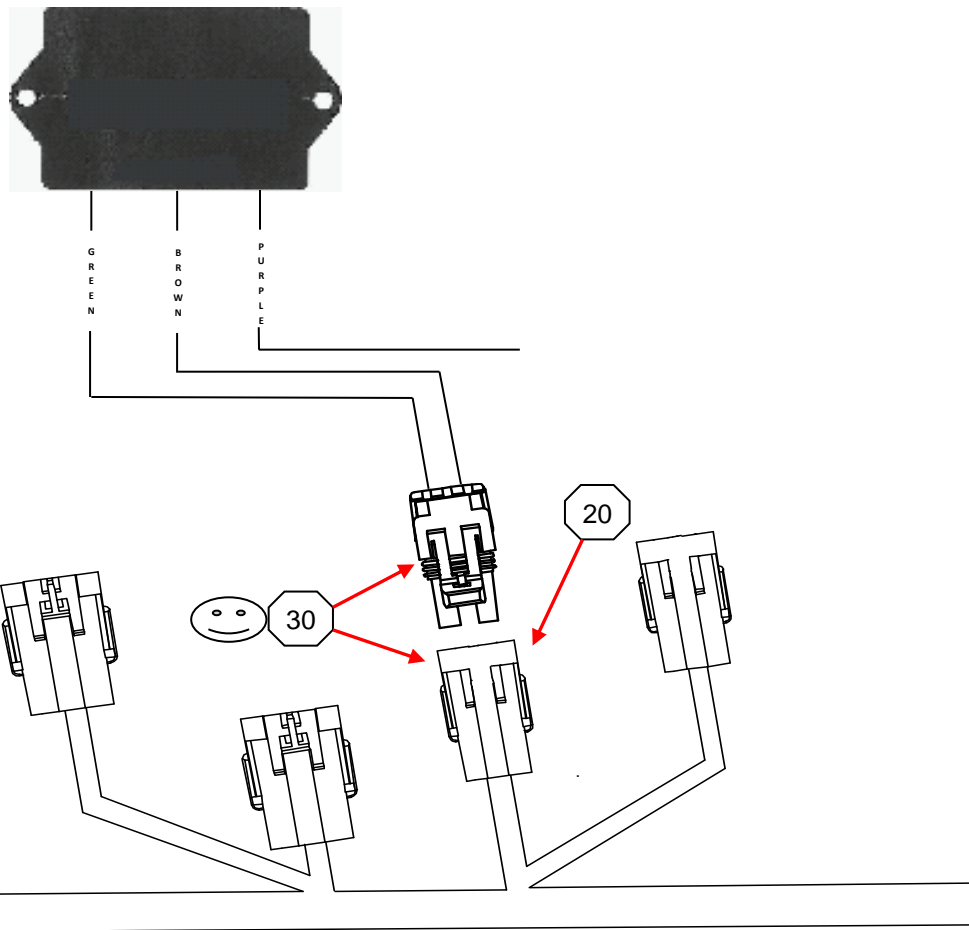
OPERATION

10 A

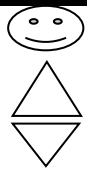


- 10) OBTAIN THE FUEL LEVEL INDICATOR RESET MODULE (A)
- 20) LOCATE ONE OF THE (2) PIN WIRE LEAD CONNECTORS ADJACENT TO THE (3) PIN CONNECTORS
- 30) ALIGN AND SEAT THE (2) PIN WIRE LEAD CONNECTOR ON THE FUEL LEVEL INDICATOR RESET MODULE INTO THE (2) PIN CONNECTOR ON THE JTG WIRE HARNESS

**PUSH / PULL CONNECTORS TO VERIFY LOCKED AND FULLY SEATED**



ITEM	PART NUMBER	QTY	DESCRIPTION	TORQUE	TOOLS
A	P13X4-4300-AC	1	FUEL GAUGE RESET MODULE ASSY		
				PROCESS NAME	
				FORD FUEL GAUGE RESET MODULE INSTALLATION INSTRUCTIONS	
				REV C	
				PROCESS NUMBER	
				P13X4-9228-AC	
				PAGE	
				1 OF 4	



INSPECTION

TORQUE

CRITICAL PROCESS



ITEM NUMBER

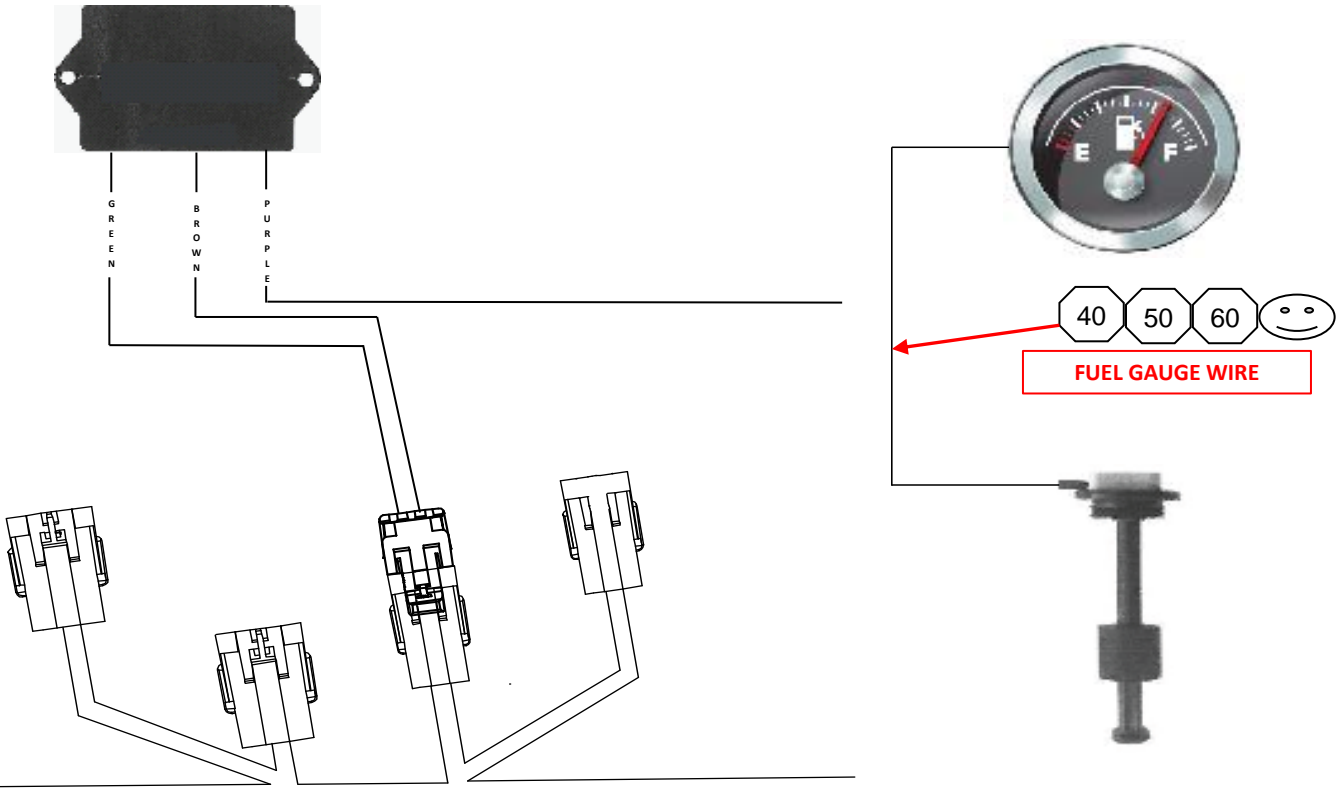


OPERATION

40) LOCATE THE OEM FUEL GAUGE WIRE  
**REFERENCE ATTACHMENT 'A' FOR FUEL GAUGE WIRE LOCATION**

50) **INSTALL THE PROVIDED WIRE TAP-IT CONNECTOR (B) AND OHM CHECK TO VERIFY CORRECT WIRE; REMOVE TAP-IT CONNECTOR WHEN COMPLETE**

60) CAREFULLY REMOVE APPROXIMATELY 1/2" OF WIRE INSULATION FROM THE FUEL GAUGE WIRE (**DO NOT CUT WIRE**)



ITEM	PART NUMBER	QTY	DESCRIPTION	TORQUE	TOOLS
A	P13X4-4300-AC	1	FUEL GAUGE RESET MODULE ASSY		
				PROCESS NAME	REV
				FORD FUEL GAUGE RESET MODULE INSTALLATION INSTRUCTIONS	C
				PROCESS NUMBER	PAGE
				P13X4-9228-AC	2 OF 4



**INSPECTION**

**TORQUE**

**CRITICAL PROCESS**



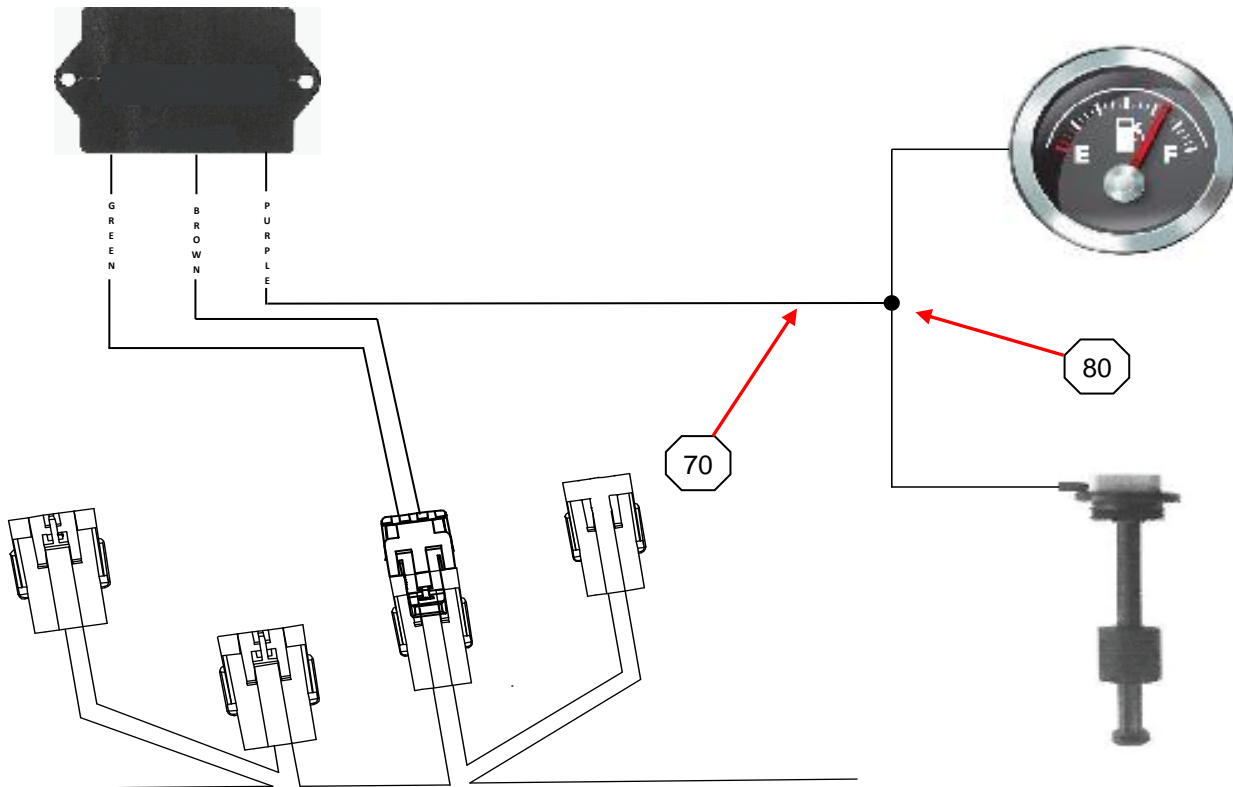
**ITEM NUMBER**



**OPERATION**

**70)** CAREFULLY REMOVE APPROXIMATELY 1/2" OF WIRE INSULATION FROM THE END OF THE PURPLE WIRE LEAD ON THE FUEL LEVEL INDICATOR RESET MODULE

**80)** ATTACH THE PURPLE WIRE LEAD TO THE STRIPPED PORTION OF THE FUEL GAUGE WIRE; SOLDER CONNECTION AND SEAL WITH ELECTRICAL TAPE



ITEM	PART NUMBER	QTY	DESCRIPTION	TORQUE	TOOLS
A	P13X4-4300-AC	1	FUEL GAUGE RESET MODULE ASSY		RAZOR BLADE
					SOLDER IRON
					ROSEN CORE SOLDER
					ELECTRICAL TAPE
PROCESS NAME					REV
FORD FUEL GAUGE RESET MODULE INSTALLATION INSTRUCTIONS					C
PROCESS NUMBER					PAGE
P13X4-9228-AC					3 OF 4



**INSPECTION**  
**TORQUE**  
**CRITICAL PROCESS**



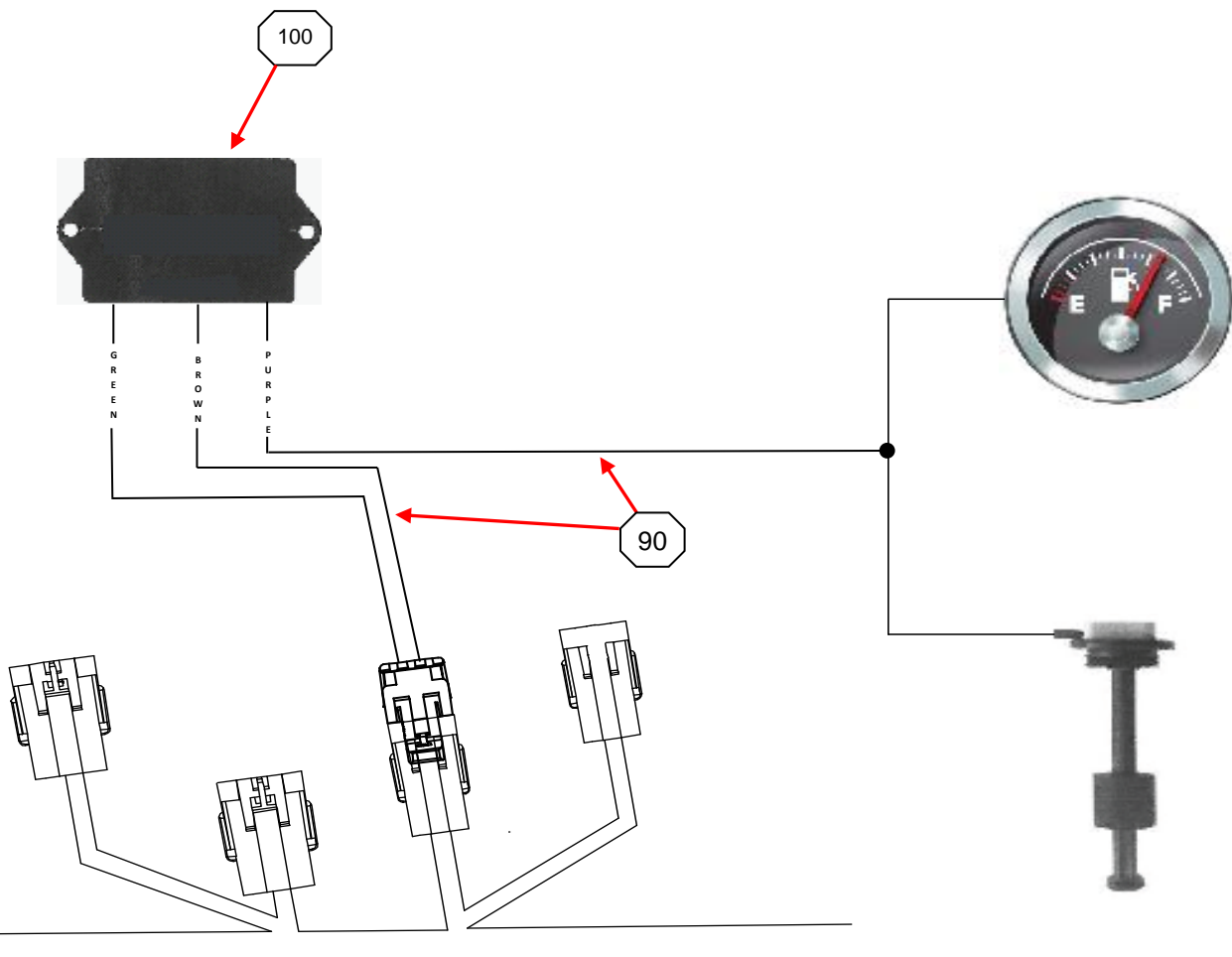
**ITEM NUMBER**



**OPERATION**

**90)** INSTALL 1/4" CORRUGATE (C ) ONTO FUEL LEVEL INDICATOR RESET MODULE WIRES

**100)** SECURE MODULE AWAY FROM IGNITION, HEAT AND WATER SOURCES



ITEM	PART NUMBER	QTY	DESCRIPTION	TORQUE	TOOLS
C	350040	1	1/4" CORRUGATE (L=2')		ELECTRICAL TAPE
				PROCESS NAME	REV
				FORD FUEL GAUGE RESET MODULE INSTALLATION INSTRUCTIONS	C
				PROCESS NUMBER	PAGE
				P13X4-9228-AC	4 OF 4

## *Fuel Gauge Wire Locations*

### **Ford F-150**

Engines - 3.5L, 3.7L, 5.0L

OEM Connector C-1581 (Driver Side Fender Well)

Pin #21 - Yellow / Violet Wire

### **Ford F-250**

Engine - 6.2L

OEM Connector C-1581 (Driver Side Fender Well)

Pin #11 - Yellow / Violet Wire

### **Ford F-550, F-650**

Engine - 6.8L

OEM Connector C-1581 (Driver Side Fender Well)

Pin #1 - Yellow / Violet Wire

### **Ford E-150, E-250, E-350**

Engine - 4.6L, 5.4L, 6.8L

OEM Connector C-110 (by Catalytic Converter)

Pin #24 - Yellow / Violet Wire

### **Ford Transit Connect**

Engine - 2.0L

OEM Connector C-213

Pin #8

### **Lincoln Navigator**

Engine - 5.4L

Gray connector by brake booster

Pin # 13 - Yellow / Violet Wire